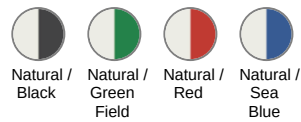


KI7202

## Patterned shopping bag

- 100% cotton: excellent heat resistance for decoration using silkscreen printing.
- Environmentally friendly: recycled and virgin cotton.
- Attractive symbol of positivity motif.

100% cotton. Shopping bag made from 60% recycled cotton and 40% virgin cotton. Their logo is a reinterpreted Möbius strip symbol with fish instead of arrows. This pays tribute to water being the primary source of life, the symbol of femininity, positivity and the capacity to adapt and evolve



### More information

#### Logistic



#### Country of origin



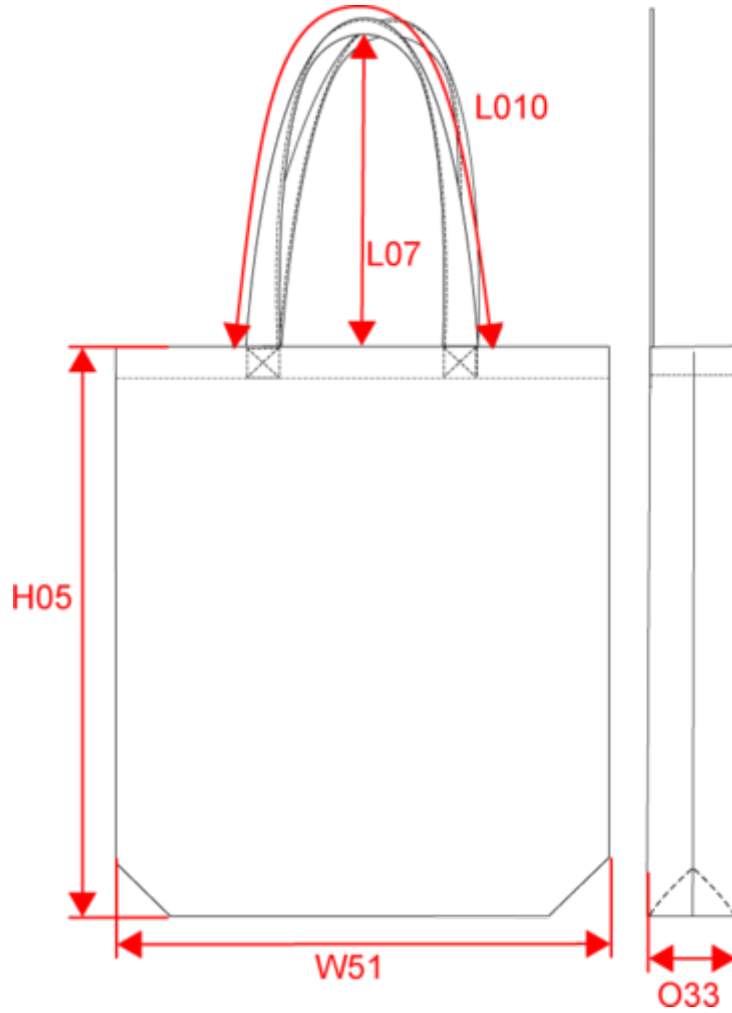
#### Customs code



KI7202

## Patterned shopping bag

Dimensions (cm)



Measurements in cm	One size
H05 - Total height	42.00
L010 - Total length of handle	64.00
L07 - Height of shoulder belt	30.00
O33 - Deep of bottom part	7.00
W51 - Total width	38.00



KI7202

## Patterned shopping bag

### Colours information



**Natural**  
RVB : 229,227,215  
Pantone C : 7534C  
Pantone TCX :  
12-0404TCX

**Black**  
RVB : 35,35,37  
Pantone C : Black  
Pantone TCX :  
19-4004TCX



**Natural**  
RVB : 229,227,215  
Pantone C : 7534C  
Pantone TCX :  
12-0404TCX

**Green Field**  
RVB : 22,152,34  
Pantone C : 555C  
Pantone TCX :  
19-6026TCX





**Natural**  
RVB : 229,227,215  
Pantone C : 7534C  
Pantone TCX :  
12-0404TCX

**Red**  
RVB : 195,32,54  
Pantone C : 200C  
Pantone TCX :  
19-1664TCX



**Natural**  
RVB : 229,227,215  
Pantone C : 7534C  
Pantone TCX :  
12-0404TCX

**Sea Blue**  
RVB : 31,83,192  
Pantone C : 7693C  
Pantone TCX :  
19-4052TCX

Logistic  1  50

Sizes	Width (cm)	Height (cm)	Length (cm)	Net weight (kg)	Gross weight (kg)	Pieces/Box	Pieces/Bundle
One Size	40	22	44	8.75	10.5	50	1