

KI5301

K-loop cooler bag

- Durable cooler bag, made from recycled cotton and recycled polyester.
- Easy to decorate.
- This bag is part of the “K-loop” project.



Black
Jhoot

Recycled cotton / recycled polyester. Cooler bag with cotton ribbon handles. This bag is available in different sizes to meet every need. Easy to decorate thanks to its front pocket with zip. This bag is part of the “K-loop” project. With this project, Kimood is literally closing the loop of the circular economy. The cotton used comes from waste generated in the production of cotton items for the Kariban brand, and the KARIBAN BRANDS range. The added polyester comes from recycled PET plastic bottles. During the recycling process, tracers are added to the yarn in the form of viscose and ceramic filaments to act as a unique digital fingerprint. The tracers reflect light in a unique way and therefore carry a clear and tamper-proof code. This allows us to unequivocally store in a blockchain all the information from the processes the yarn has been subjected to. Thanks to the Aware™ tracer technology and associated blockchain platform, Kimood allows the end consumer to track the entire production process. This guarantees that the product has been recycled using its own waste, with no possible alterations in the process. A special label with a QR code provides access to the Aware™ platform for direct authentication of certifications using a smartphone.



More information

Logistic



Country of origin



BD - Bangladesh

Customs code



42029298

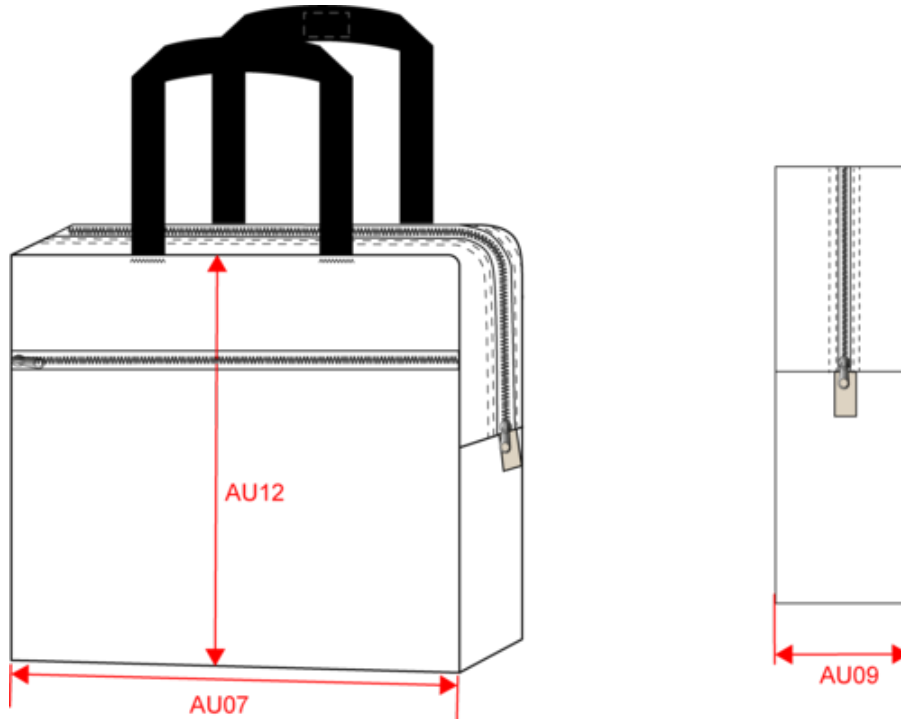
Washing instructions



KI5301

K-loop cooler bag

Dimensions (cm)



Measurements in cm	S	M	L
AU07 - Total width	20.00	28.00	40.00
AU09 - Depth of bottom part	12.00	16.00	24.00
AU12 - Total height	20.00	28.00	40.00



KI5301

K-loop cooler bag

Colours information

 **Black Jhoot**

RVB : 40,41,43
Pantone C : 426C
Pantone TCX : 19-4004TCX

Logistic

Sizes	Width (cm)	Height (cm)	Length (cm)	Net weight (kg)	Gross weight (kg)	Pieces/Box	Pieces/Bundle
S	40.00	50.00	60.00	0.00000	0.00000	40	1
M	40.00	45.00	60.00	0.00000	0.00000	30	1
L	40.00	35.00	60.00	0.00000	0.00000	20	1