

KI5213

## Recycled shopping bag - Striped pattern

- Shopping bag made from recycled materials.
- Original striped fabric.
- 4-cm wide handles for greater comfort.

67% cotton/30% polyester/3% other fibers. This shopping bag is made of 67% recycled cotton and 30% recycled polyester. The inside of the bag is lined with fabric in a contrasting colour and has a zip fastening. The 4-cm wide handles are designed for extra comfort. The striped pattern is inspired by the skylines of major cities and gives each piece a unique look. Pairs perfectly with the KI5214 hold-all bag and KI5705 pouch.

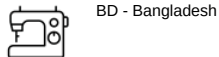


### More information

#### Logistic



#### Country of origin



#### Customs code



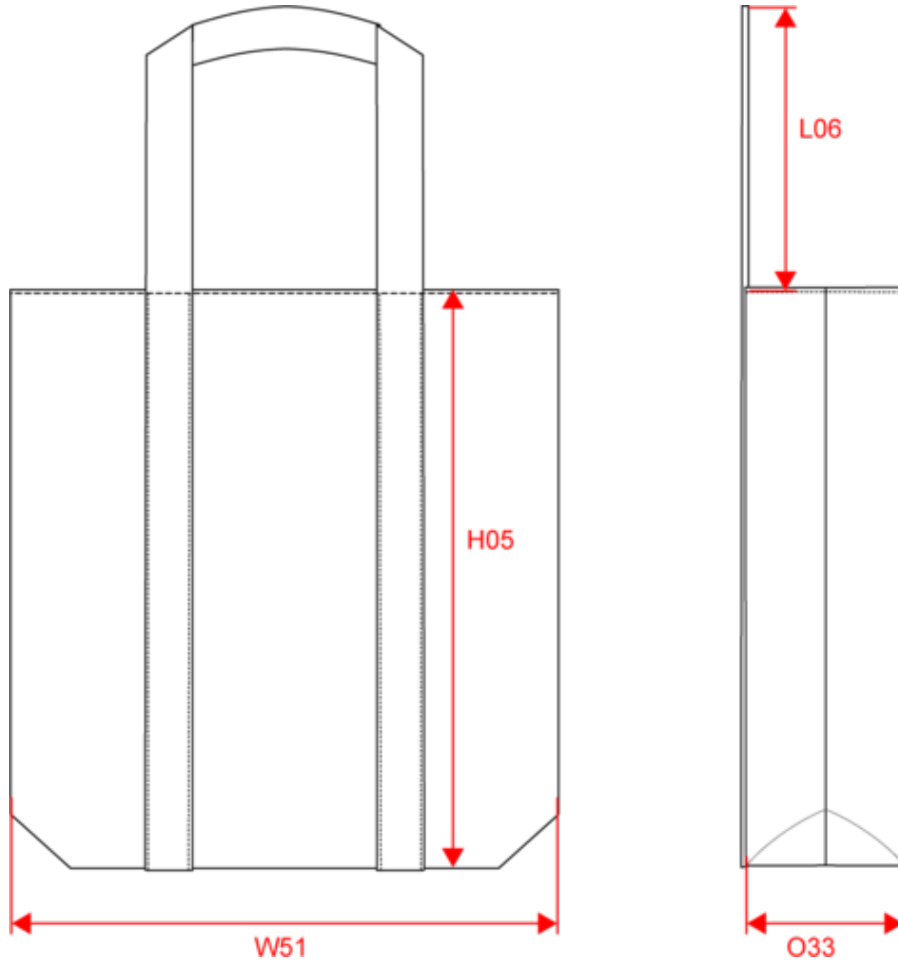
Striped  
Ecume



KI5213

## Recycled shopping bag - Striped pattern

### Dimensions (cm)



Measurements in cm	One size
H05 - Total height	40.00
L06 - Height of stretched top handle	30.00
O33 - Deep of bottom part	12.00
W51 - Total width	46.00



KI5213

## Recycled shopping bag - Striped pattern

### Colours information



#### Striped Ecume

RVB :  
Pantone C :  
Pantone TCX :

### Logistic



1



30

Sizes	Width (cm)	Height (cm)	Length (cm)	Net weight (kg)	Gross weight (kg)	Pieces/Box	Pieces/Bundle
One Size	42	20	48		12	30	1