

KI5210

Recycled shopping bag - Striped pattern

- Shopping bag made from 100% recycled materials.
- Original striped fabric.
- Inner zipped pocket.

78% cotton/20% polyester/2% other fibers. Shopping bag made of 78% recycled cotton and 20% recycled polyester. The inside of the bag is lined with a fabric in contrasting colour. The main compartment has a zip fastening. The bag has an inner pocket with a zip and 4-cm wide handles designed for extra comfort. The striped twill fabric gives each piece a unique look.



More information

Logistic



Country of origin

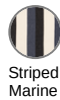


BD - Bangladesh

Customs code



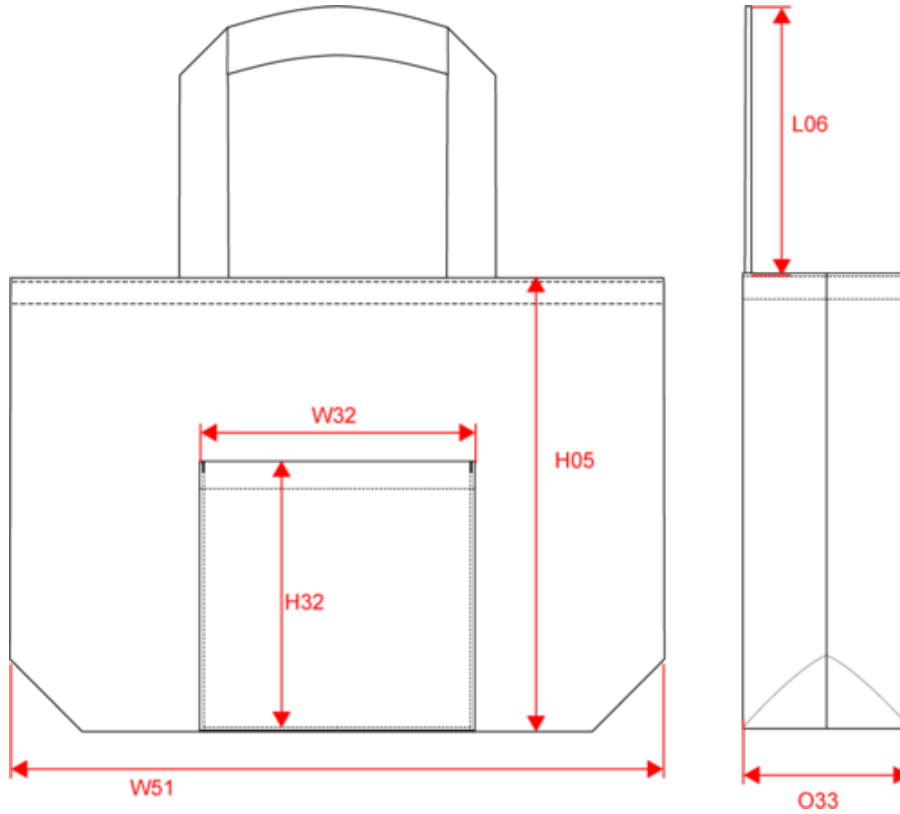
42029298



KI5210

Recycled shopping bag - Striped pattern

Dimensions (cm)



Measurements in cm	One size
H05 - Total height	35.00
H32 - Front pocket height	20.00
L06 - Height of stretched top handle	37.00
O33 - Deep of bottom part	12.00
W32 - Front pocket width	20.00
W51 - Total width	52.00



KI5210

Recycled shopping bag - Striped pattern

Colours information



Striped Marine

RVB :
Pantone C :
Pantone TCX :

Logistic



1



30

Sizes	Width (cm)	Height (cm)	Length (cm)	Net weight (kg)	Gross weight (kg)	Pieces/Box	Pieces/Bundle
One Size	37	20	54		10	30	1