

KI5208

Hand-woven basket

- Woven by hand from seaweed fibre.
- Environmentally friendly: inner lining woven by hand from recycled yarn.
- This item helps support the economy of families living in remote villages of Bangladesh, and the work of women in particular, thus helping to prevent these villages from being deserted.

100% vegetable fibre. 70% cotton / 25% polyester (lining). Hand-woven basket made from vegetable seaweed fibre. The inner lining is hand-woven from recycled materials (80% cotton/20% polyester). This basket is hand-woven using traditional looms from Bangladesh, called "tant" looms. The traditional weaving gives the canvas a distinctive and unique handcrafted look. This basket is part of the "Handloom recycled project" collection that arose from a collaboration between the Kimood brand and the HandTouch company, a member of ECOTA, a fair trade organisation in Bangladesh. This item helps support the economy of families living in remote villages of Bangladesh, and the work of women in particular, thus helping to prevent these villages from being deserted. There is a label inside the bag with details about the project and there is also a space for decoration to add logos and/or messages.

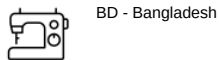


More information

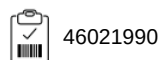
Logistic



Country of origin



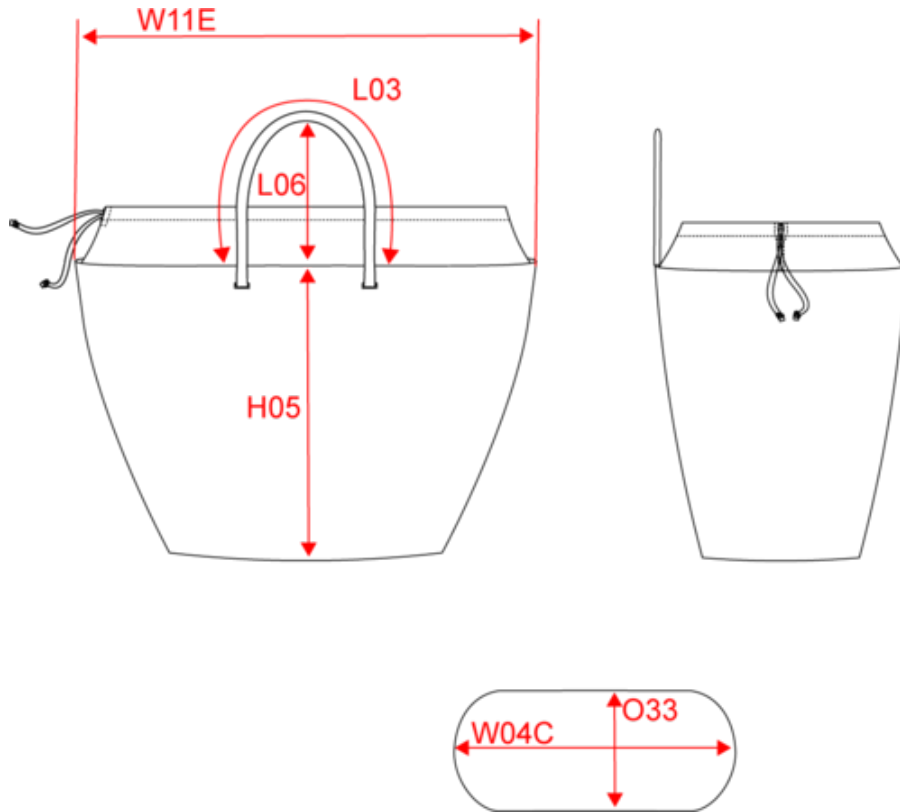
Customs code



KI5208

Hand-woven basket

Dimensions (cm)



Measurements in cm	One size
H05 - Total height	30.00
L03 - Shoulder strap total length	47.00
L06 - Height of stretched top handle	18.00
O33 - Deep of bottom part	22.00
W04C - Bottom width	31.00
W11E - Top width	48.00



KI5208

Hand-woven basket

Colours information



Seagrass

RVB :
Pantone C : -
Pantone TCX : -

Logistic



5

Sizes	Width (cm)	Height (cm)	Length (cm)	Net weight (kg)	Gross weight (kg)	Pieces/Box	Pieces/Bundle
One Size	40	50	50	5	6.5	5	