

KI5207

Hand-woven canvas shopping bag

- Environmentally friendly: made from thread from recycled materials.
- Hand-stitched using traditional looms from Bangladesh.
- This item helps support the economy of families living in remote villages of Bangladesh, and the work of women in particular, thus helping to prevent these villages from being deserted.



80% cotton/20% polyester. Shopping bag made from thread from recycled materials. The bag is hand stitched using traditional looms from Bangladesh, called "tant" looms. The traditional weaving gives the canvas a distinctive and unique handcrafted look. This bag is part of the "Handloom recycled project" collection that arose from a collaboration between the Kimood brand and the HandTouch company, a member of ECOTA, a fair trade organisation in Bangladesh. This item helps support the economy of families living in remote villages of Bangladesh, and the work of women in particular, thus helping to prevent these villages from being deserted. The handles stitched along the body of the bag are made from the same canvas as the bag. There is a label inside the bag with details about the project and there is also a space for decoration to add logos and/or messages.



Storm Blue

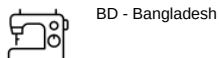


More information

Logistic



Country of origin



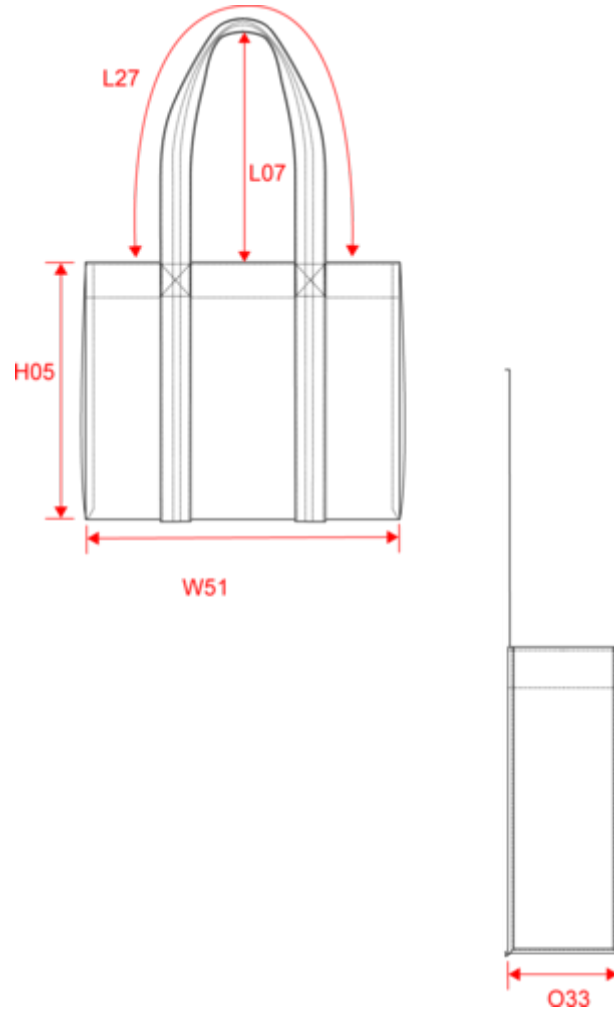
Customs code



KI5207

Hand-woven canvas shopping bag

Dimensions (cm)




Measurements in cm	One size
H05 - Total height	40.00
L07 - Height of shoulder belt	30.00
L27 - Handles length	64.00
W51 - Total width	42.00



KI5207

Hand-woven canvas shopping bag

Colours information

 **Storm Blue**

RVB : 75,92,119

Pantone C : 7545C

Pantone TCX : 18-3921TCX

Logistic



1



50

Sizes	Width (cm)	Height (cm)	Length (cm)	Net weight (kg)	Gross weight (kg)	Pieces/Box	Pieces/Bundle
One Size	40	20	60	9	10.5	50	1