

KI5204

## Large recycled flat-bottomed shopping bag

- Large shopping bag made from recycled materials.
- Large 4.25-cm wide strap handles for greater comfort.
- Inner pocket with zip fastening for added storage and security.

Cotton/polyester. Black night colour 67% cotton / 20% polyester/ 3% other fibers. Ecume color 75% cotton / 22% polyester/ 3% other fibers. Backpack made of recycled cotton and recycled polyester. The 60-cm handles with their 4.25-cm wide ribbon are designed for more comfort. The inner zipped pocket enables you to securely store your keys and phone.

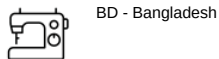


### More information

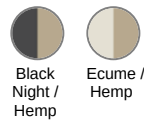
#### Logistic



#### Country of origin



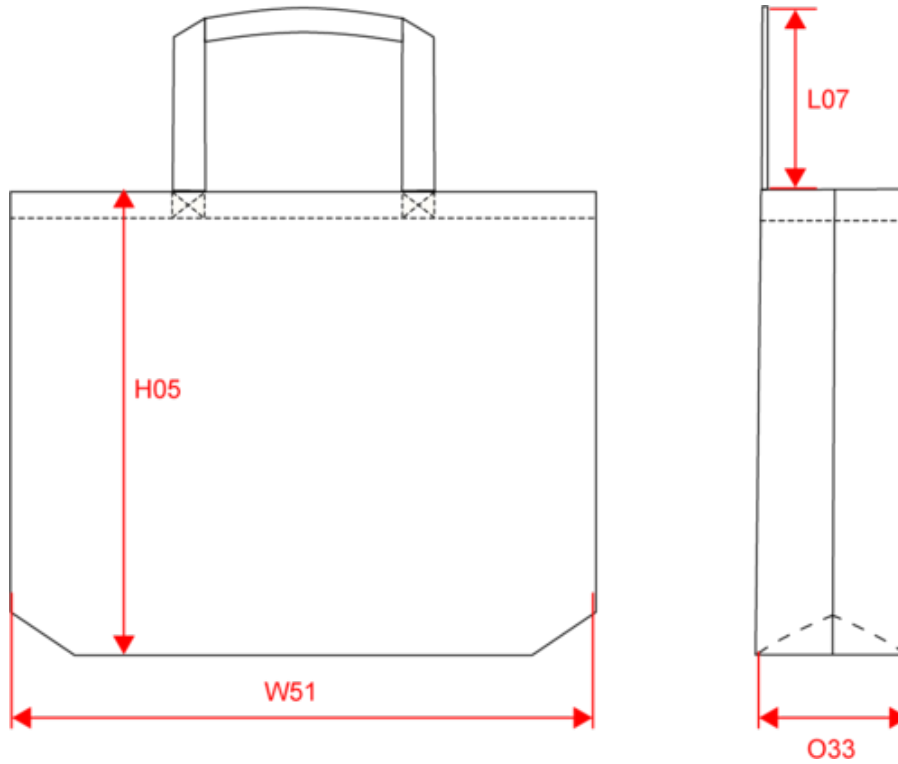
#### Customs code



KI5204

## Large recycled flat-bottomed shopping bag

### Dimensions (cm)



Measurements in cm	One size
H05 - Total height	40.00
L07 - Height of shoulder belt	30.00
O33 - Deep of bottom part	16.00
W51 - Total width	52.00



KI5204

## Large recycled flat-bottomed shopping bag

### Colours information



**Black Night**

RVB : 39,39,41

Pantone C : Neutral Black C

Pantone TCX : 19-4006TCX

**Hemp**

RVB : 165,143,116

Pantone C : 7504C

Pantone TCX : 16-1315TCX



**Ecume**

RVB : 221,211,194

Pantone C : 482C

Pantone TCX : 12-0304TCX

**Hemp**

RVB : 165,143,116

Pantone C : 7504C

Pantone TCX : 16-1315TCX

### Logistic



1



50

Sizes	Width (cm)	Height (cm)	Length (cm)	Net weight (kg)	Gross weight (kg)	Pieces/Box	Pieces/Bundle
One Size	55	35	43		11.5	50	1