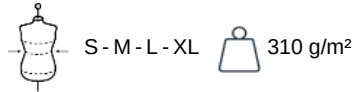


KI0295

Gusseted shopping bag, available in different sizes

100% cotton. Classic shopping bags with gusset, available in various sizes, from S to XL. Strap handles in the same fabric as the body of the bag.



More information

Logistic



Country of origin



Customs code

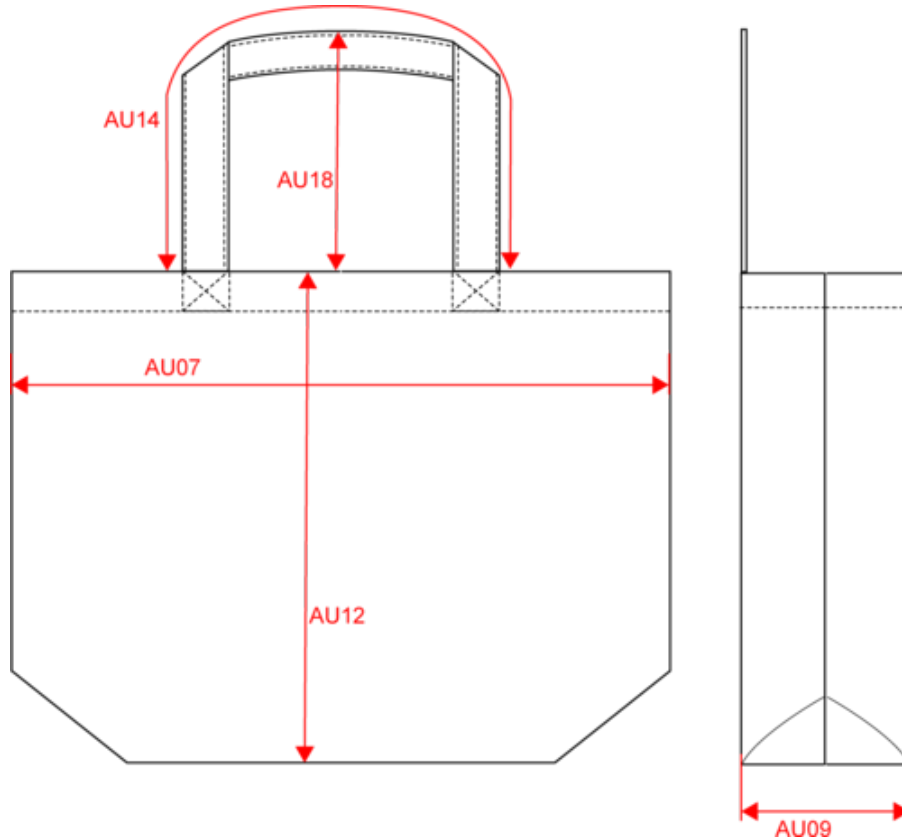


Washing instructions



Gusseted shopping bag, available in different sizes

Dimensions (cm)



Measurements in cm	S	M	L	XL
AU09 - Depth of bottom part	11.00	15.00	18.00	20.00
AU12 - Total height	26.00	34.00	40.00	48.00
AU14 - Handle length	35.00	60.00	60.00	60.00
AU24 - Handle height	13.50	26.00	26.00	26.00
AU28 - Bottom width	23.00	31.00	36.00	42.00
AU07 - Total width	34.00	46.00	54.00	62.00



KI0295

Gusseted shopping bag, available in different sizes

Colours information



Black
RVB : 35,35,37
Pantone C : Black
Pantone TCX : 19-4004TCX



Natural
RVB : 229,227,215
Pantone C : 7534C
Pantone TCX : 12-0404TCX



Navy Blue
RVB : 41,45,57
Pantone C : 433C
Pantone TCX : 19-4010TCX

Logistic



1



100

Sizes	Width (cm)	Height (cm)	Length (cm)	Net weight (kg)	Gross weight (kg)	Pieces/Box	Pieces/Bundle
S	29.00	38.00	36.00	8.50000	11.00000	70	1
M	37.00	25.00	48.00	10.00000	12.50000	50	1
L	43.00	18.00	56.00	7.50000	10.00000	30	1
XL	50.00	18.00	63.00	9.30000	11.80000	30	1