

KI0294

Shopping bag in cotton and woven jute threads

100% jute/ 100% cotton. Shopping bag featuring upper and lower panels crafted from woven jute threads with a knit effect and a central cotton panel for easy decoration access. Object-holder inside pocket with zip fastening.



More information

Logistic



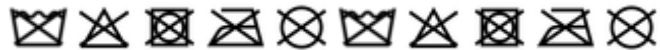
Country of origin



Customs code



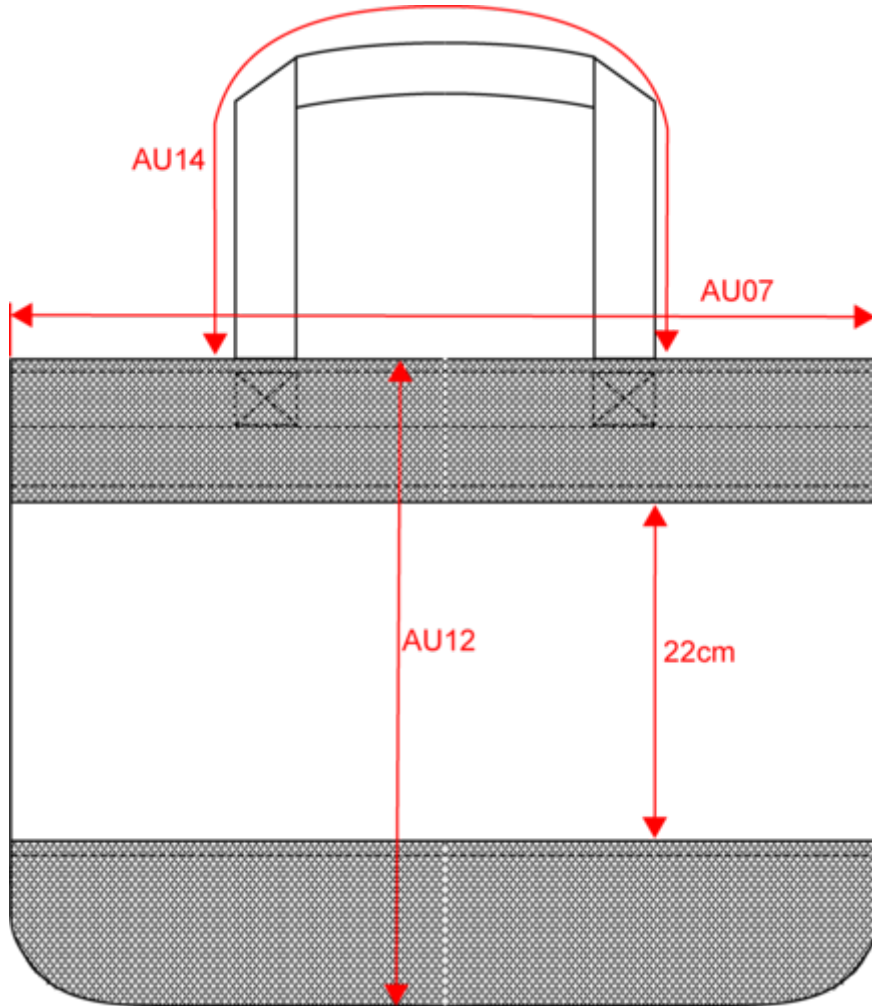
Washing instructions



KI0294

Shopping bag in cotton and woven jute threads

Dimensions (cm)



Measurements in cm	One size
AU07 - Total width	45.00
AU12 - Total height	40.00
AU14 - Handle length	62.00



KI0294

Shopping bag in cotton and woven jute threads

Colours information



Black
RVB : 35,35,37
Pantone C : Black
Pantone TCX : 19-4004TCX



Cumin Yellow
RVB : 211,149,66
Pantone C : 7510C / 7504C
Pantone TCX : 16-1054C / 16-1334TCX

Natural

RVB : 229,227,215
Pantone C : 7534C
Pantone TCX : 12-0404TCX



Minorca Navy Natural
RVB : 229,227,215
Pantone C : 7534C
Pantone TCX : 12-0404TCX



Natural
RVB : 229,227,215
Pantone C : 7534C
Pantone TCX : 12-0404TCX

Logistic



1



30

Sizes	Width (cm)	Height (cm)	Length (cm)	Net weight (kg)	Gross weight (kg)	Pieces/Box	Pieces/Bundle
One Size	47.00	30.00	44.00	11.50000	14.00000	30	1