

**REFERENCE :** KI0279

**SIZES :** U

**COMPOSITION :**

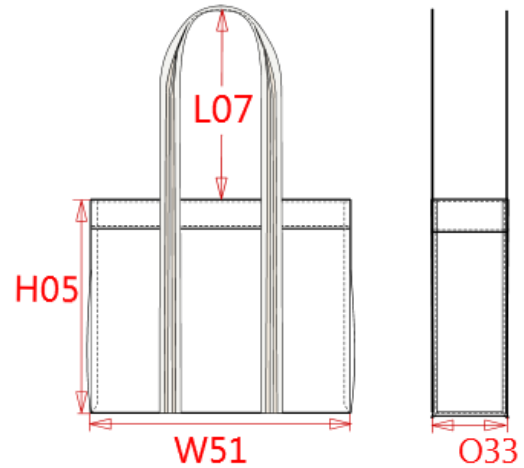
Main fabric : Organic Cotton canvas - 310 OCS100 certified  
100%cotton

**TECHNICAL DETAIL :**

OCS certified

**ARTICLE WEIGHT :**

400 gr/pc



DESCRIPTION		COLORS	PANTONE SERIGRAPHIE
<b>Français :</b> Sac Shopping fashion en coton biologique <b>English :</b> Fashion shopping bag in organic cotton <b>Nederlands :</b> Trendy shopper van biologisch katoen <b>Deutsch :</b> Moderne Shoppingtasche aus Bio-Baumwolle <b>Español :</b> Bolsa de compras moda de algodón orgánico <b>Italiano :</b> Shopper fashion in cotone biologico <b>Português :</b> Saco de compras fashion em algodão biológico		Natural	7534C
		Night navy	433C
MEASUREMENT			
Description	U		
<b>H05</b> Hauteur totale / Total height	38		
<b>W51</b> Total width	44		
<b>L07</b> Height of shoulder handles	30		
<b>O33</b> Deep of bottom part	22		
PACKING			
Box	40 pcs / box U => L:46cm W:40cm H:40cm GW:18.2Kg NW:16.8Kg		