

KI5206

Hand-woven shopping bag

- Environmentally friendly: made from thread from recycled materials.
- Hand-stitched using traditional looms from Bangladesh.
- This item helps support the economy of families living in remote villages of Bangladesh, and the work of women in particular, thus helping to prevent these villages from being deserted.



70% cotton/25% polyester. Handbag made from thread from recycled materials. Hand-woven using traditional looms from Bangladesh called "tant" looms. The traditional weaving gives the canvas a distinctive and unique handcrafted look. This bag is part of the "Handloom recycled project" collection that arose from a collaboration between the Kimood brand and the HandTouch company, a member of ECOTA, a fair trade organisation in Bangladesh. This item helps support the economy of families living in remote villages of Bangladesh, and the work of women in particular, thus helping to prevent these villages from being deserted. There is a label inside the bag with details about the project and there is also a space for decoration to add logos and/or messages. Average weight size L : 200g.



Flint Grey

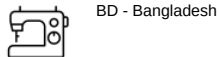


More information

Logistic



Country of origin



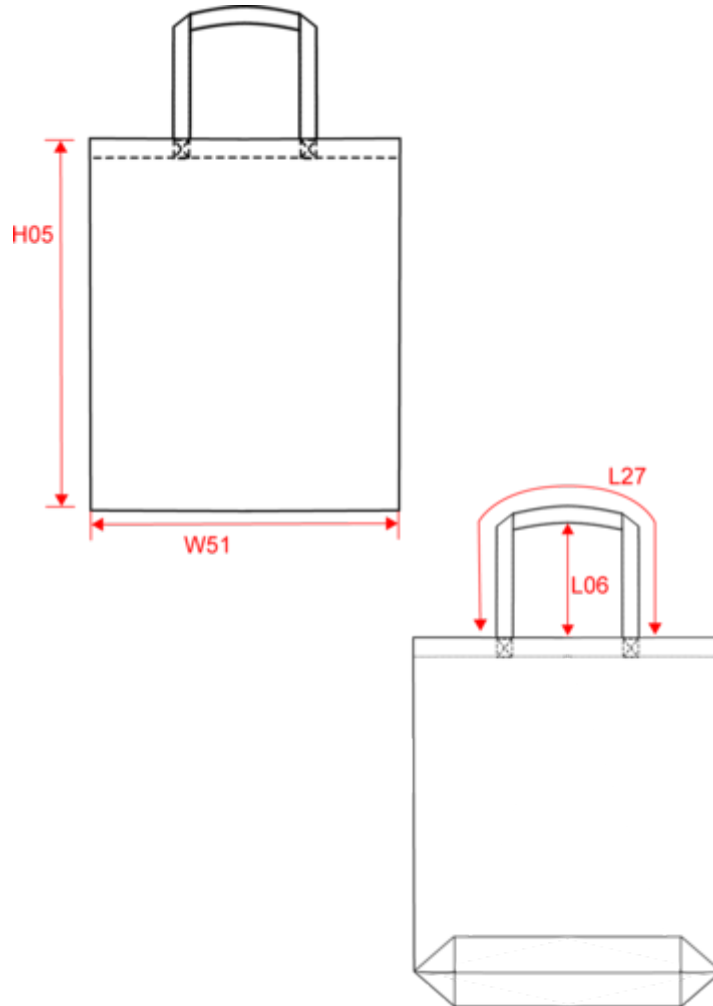
Customs code



KI5206

Hand-woven shopping bag

Dimensions (cm)



Measurements in cm	One size
H05 - Total height	42.00
L06 - Height of stretched top handle	27.00
L27 - Handles length	64.00
W51 - Total width	38.00



KI5206

Hand-woven shopping bag

Colours information





Flint Grey

RVB : 161,160,163

Pantone C : 877C

Pantone TCX : 16-3915TCX

Logistic  1  50

Sizes	Width (cm)	Height (cm)	Length (cm)	Net weight (kg)	Gross weight (kg)	Pieces/Box	Pieces/Bundle
One Size	40	16	60	5	6	50	1