

**REFERENCE :** KI0227

**SIZES :** U

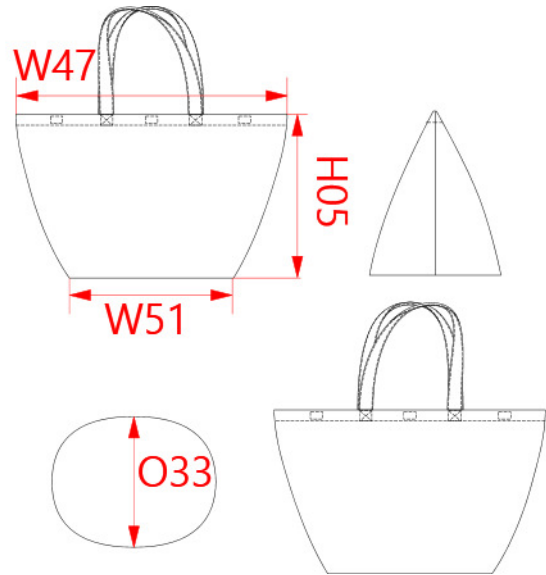
**COMPOSITION :**

Main fabric : Yarn dyed jacquard jute hessian 100% Jute

Fabric 1 : Cotton Sheeting 90 For inner zip pocket. 100% cotton

**ARTICLE WEIGHT :**

394 gr/pc



DESCRIPTION	
<b>Français :</b>	Cabas en toile de jute teint 100% naturel
<b>English :</b>	Fashionable 100% natural yarn dyed jute bag
<b>Nederlands :</b>	Modieuze tas van jute
<b>Deutsch :</b>	Gefärbte modische jutetasche aus 100% naturgarn
<b>Español :</b>	Bolsa de yute teñido 100% natural asas cortas
<b>Italiano :</b>	Borsa in iuta filato naturale
<b>Português :</b>	Saco em ráfia

COLORS	PANTONE SERIGRAPHIE
Black / Black	Black / Black
Cool grey / Cool grey	1C Cool grey / 1C Cool grey
Natural / Capuccino	1C Warm Gray / 438C
Natural / Blue ink	1C Warm Gray / 2747C
Natural / Natural	1C Warm Gray / 1C Warm Gray
Natural / Saffron	1C Warm Gray / 172C
Natural / Water green	1C Warm Gray / 325C

MEASUREMENT	
Description	U
<b>H05</b> Hauteur totale / Total height	35
<b>W51</b> Total width	35
<b>W47</b> Back panel width on top	58
<b>O33</b> Deep of bottom part	28

PACKING	
Box	50 pcs / box U => L:61cm W:38cm H:48cm GW:21,25Kg NW:19,7Kg